

# Quick Install Guide

PowerLine AV 200 Mini Adapter Starter Kit



Thank you for purchasing the PowerLine AV 200 Mini Adapter Starter Kit. Follow the easy steps in this guide to properly set up your PowerLine adapters. Please verify that all of the package contents listed below are available.

## Package Contents



Two PowerLine AV 200 Mini Adapters (DHP-208AV)



Two Ethernet Cables

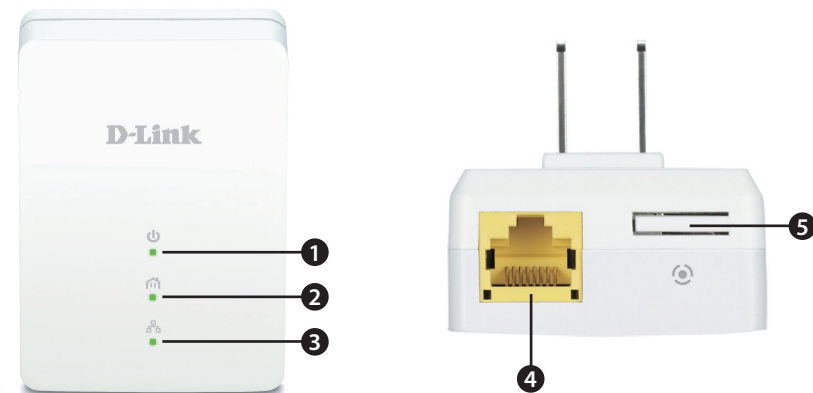


Quick Install Guide

If any of the above items are missing, please contact your reseller.

DHP-209AV

## Hardware Overview



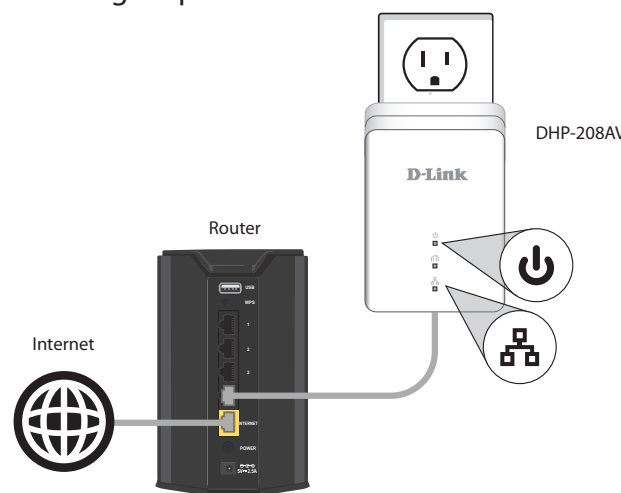
1	Power LED	<ul style="list-style-type: none"> <li>• Solid: The device is receiving electrical power.</li> <li>• Blinking: The device is powering up or in power saving mode.</li> <li>• Off: The device is not receiving electrical power.</li> </ul>
2	PowerLine LED	<ul style="list-style-type: none"> <li>• Solid: The device is connected to a Powerline network.</li> <li>• Off: The device has not found any other compatible Powerline devices using the same encryption key.</li> </ul> <p>The color indicates the Powerline link rate:</p> <ul style="list-style-type: none"> <li>• Green: The Powerline link rate is best.</li> <li>• Amber: The Powerline link rate is better.</li> <li>• Red: The Powerline link rate is good.</li> </ul>
3	Ethernet LED	<ul style="list-style-type: none"> <li>• Solid: The Ethernet port is linked.</li> <li>• Off: There is no Ethernet connection.</li> </ul>
4	10/100 Ethernet Port	Connect to an Ethernet device such as a router, computer, gaming console, network storage device, or a media player.
5	Simple Connect Button/Reset Button	Press and hold the button for one second to secure your network or hold the button for 10 seconds to reset to the factory default settings.

## Recommendations

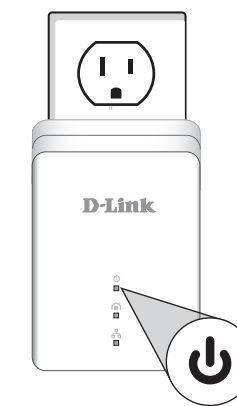
- For best results, use in a regular wall outlet without any other devices plugged in. Plugging into a power strip or a surge protector may adversely affect the performance of this product.
- Avoid using the PowerLine adapters in an electrical outlet that is located near an appliance that uses a lot of power, such as a washer or dryer, refrigerator, microwave, hair dryer, or air conditioning unit.
- To verify connectivity or if you are having connection problems, plug the adapters in the same room to verify whether your home's electrical wiring is contributing to the issue. The adapters' PowerLine LED indicators will illuminate if the connection is established. Once configured you may place the adapter in the location of your choice.

## Installation

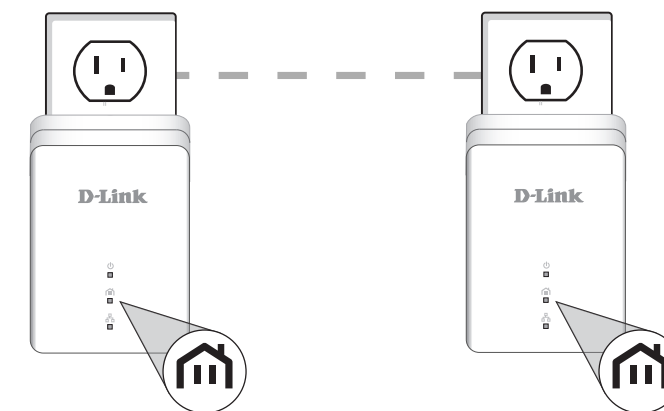
- 1 Plug in one of the DHP-208AV adapters and connect to your router with an Ethernet cable. The Power and Ethernet LEDs should both light up.



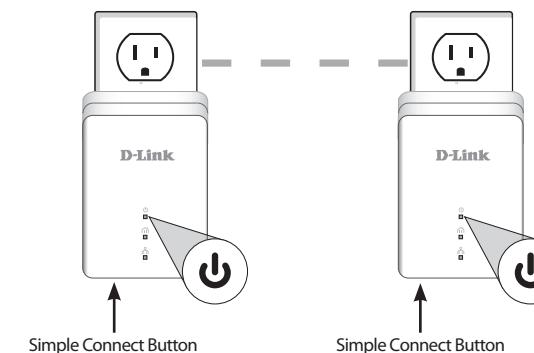
- 2 Plug in the other DHP-208AV adapter in the room that you want to extend your network. The Power LED will turn on.



- 3 Verify that the PowerLine LEDs on both adapters are lit. If they are, the adapters are connected. If not, try another outlet (closer to the other PowerLine adapter).



- 4 To secure your network, press the Simple Connect button for one second on one of the adapters. The Power LED will start to blink. Then, within two minutes, press the Simple Connect button on the other adapter for one second. Once the Power LEDs stop blinking, verify that the PowerLine LED is lit on both adapters (as in Step 3). This indicates that your adapters are properly connected to each other.



- 5 You can now connect another device using an Ethernet cable to the DHP-208AV adapter. Verify that the Ethernet LED is lit. Your installation is completed.

## Contact Technical Support

Having trouble installing your new product? D-Link's website contains the latest user documentation and software updates for D-Link products. U.S. and Canadian customers can contact D-Link Technical Support through our website.

**United States**

Internet: <http://support.dlink.com>

**Canada**

Internet: <http://support.dlink.ca>

Copyright ©2013 D-Link Corporation/D-Link Systems, Inc. All rights reserved. D-Link and the D-Link logo are registered trademarks of D-Link Corporation or its subsidiaries in the United States and other countries. Other trademarks are the property of their respective owners. Product specifications, size and shape are subject to change without notice, and actual product appearance may differ from that depicted on the packaging. Visit [www.dlink.com](http://www.dlink.com) for more details. Maximum throughput based on theoretical transmission PHY rate. Actual data throughput will vary. Network conditions and environmental factors, including volume of traffic and network overhead, may lower actual data throughput rate. Interference from devices that emit electrical noise, such as vacuum cleaners and hair dryers, may adversely affect the performance of this product. This product may interfere with devices such as lighting systems that have a dimmer switch, short wave radios, or other powerline devices that do not follow the HomePlug AV and IEEE1901 standard.