

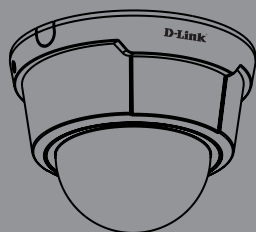


## Quick Install Guide

### Fixed Dome Network Camera

This document will guide you through the basic installation process for your new D-Link Network Camera.

DCS-6112/DCS-6113



Documentation also available on  
CD and via the D-Link Website

---

# DCS-6112/DCS-6113 Quick Install Guide

This Quick Install Guide provides basic instructions for installing the DCS-6112/DCS-6113 Network Camera on your network. For additional information about how to use the camera, please see the User Manual which is available on the CD included in this package or from the D-Link support website.

## Installation Steps

1. Verify the package contents against the list below.
2. Hardware Overview
3. Hardware Installation
4. Configuration with the Wizard
5. Adjust the Viewing Angle
6. Attaching the Enclosure

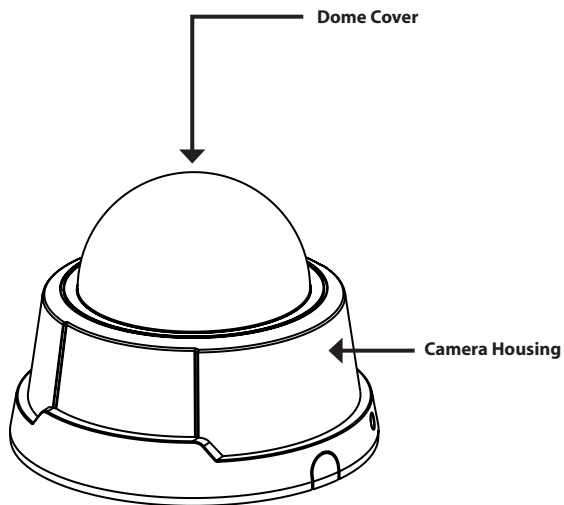
## 1. Package Contents

- DCS-6112/DCS-6113 Network Camera
- Manual and Software on CD-ROM
- Ethernet Cable
- AV / Power cable
- Power Adapter
- Security Screwdriver
- Mounting Screws
- Alignment Sticker
- Quick Install Guide
- Cable Tie

If any of the above items are missing, please contact your reseller.

---

## 2. Hardware Overview



### Light Sensor

Judges lighting conditions and switches between day mode and night mode accordingly (Controls IR-LED and ICR on/off) (DCS-6113 only).

### Infrared LEDs

Used to illuminate the camera's field of view at night (DCS-6113 only).

### Lens

Fixed focus lens.

### 3-Axis Mechanism

Adjust the camera's image to achieve the desired orientation.

### Ethernet (PoE) Port

RJ-45 connector for an Ethernet cable, which can also be used to power the camera using PoE.

### microSD Card Slot

Local MicroSD card for storing recorded images and video.

### Audio Input / Output

Audio input/output connector for an external speaker.

### Reset

Press and hold this button for 10 seconds to reset the camera.

### LED

Power and network indicator.

### NTSC/PAL Switch

Switch for NTSC/PAL video format.

### DC Input

Connects to the 12V DC power adapter to power the camera.

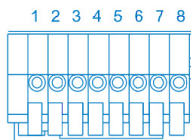
### Video Output

Video output connector for TV/Monitor.

### Digital Input (DI) /Output (DO)

DI/DO connectors provide a physical interface to send and receive digital signals to and from a variety of external devices.

## Audio I/O and DI/DO



- 1: Audio GND
- 2: Audio out
- 3: Audio GND
- 4: Audio input
- 5: GND
- 6: Digital input
- 7: Digital output
- 8: 12V DC

## DC input / Video Output



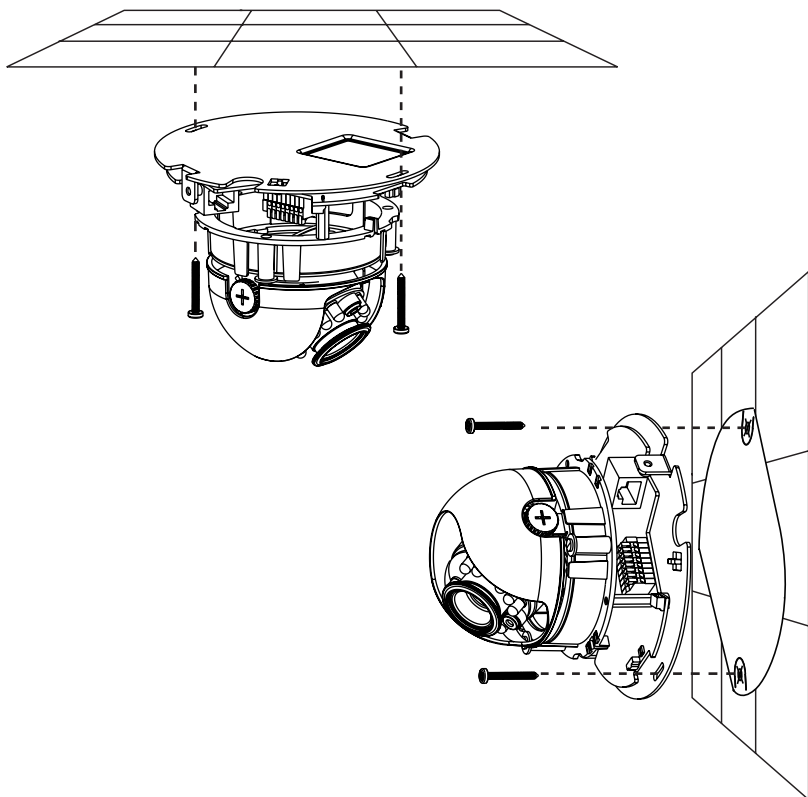
- 1: Ground of Video out
- 2: Video output
- 3: Ground of DC input
- 4: DC 12V input

---

## 3. Hardware Installation

### Mounting to a Ceiling or a Wall

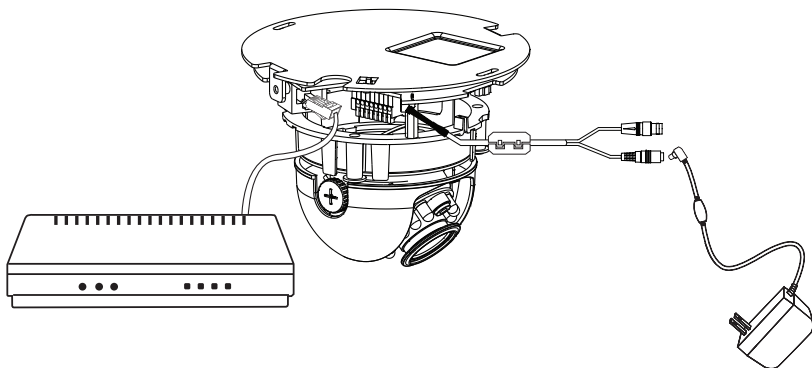
1. Locate an area on the ceiling or wall which is capable of supporting the weight of the camera.
2. Attach the alignment sticker to the ceiling or wall.
3. Drill two pilot holes where the holes of the alignment sticker are located.
4. Insert the supplied plastic anchors into the drilled holes, and align the holes at the base of the camera with the plastic anchors.
5. The camera can be mounted with the cable routed through the ceiling, wall or from the side.
6. Insert the provided screws through the holes. Use a screwdriver to tighten the screws and secure the camera.



---

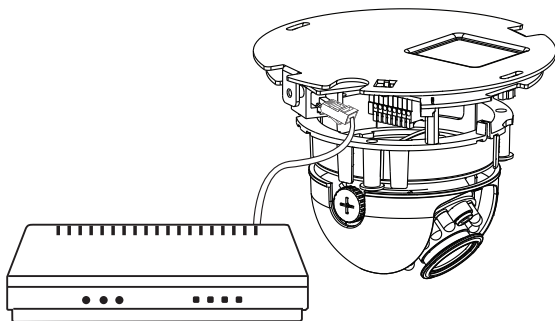
### General Connection (without PoE)

Connect the network camera to a switch or router with an Ethernet cable. Then connect the supplied power cable from the camera to a power outlet.



### Connection with a PoE Switch

If using a PoE switch, connect the network camera to the switch with an Ethernet cable, which will provide both power and data transmission over a single cable.



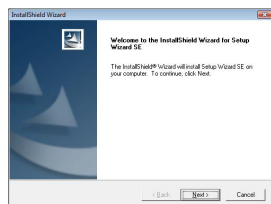
## 4. Configuration with the Wizard

Insert the DCS-6112/DCS-6113 CD into your computer's CD-ROM drive to begin the installation. If the autorun function on your computer is disabled, or if the D-Link Launcher fails to start automatically, click **Start > Run**. Type **D:\autorun.exe**, where D: represents the drive letter of your CD-ROM drive.

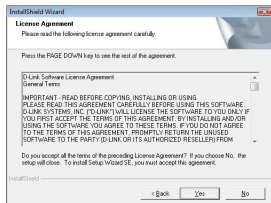
Click **Setup Wizard** to begin.



The InstallShield wizard window will open. Click **Next** to proceed with installation of the Setup Wizard.

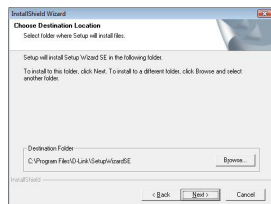


Click **Yes** to accept the terms of the License Agreement.

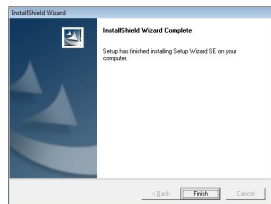


This screen will display the path to the destination folder for the installation files. Click **Browse** to select a different location, or click **Next** to proceed with installation.

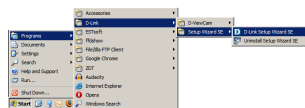
**Note:** The installation may take several minutes to finish.



You will see this screen when the Setup Wizard has finished installing. Click **Finish** to complete the process.

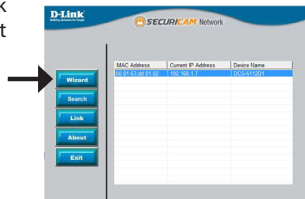


Click on the **D-Link Setup Wizard SE** icon that was created in your Windows Start menu.



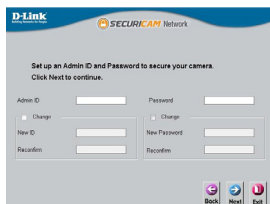
**Start > Programs > D-Link > Setup Wizard SE**

The Setup Wizard will display the *MAC Address* and *Current IP Address* of your camera(s). If you have a DHCP server on your network, a valid IP Address will be displayed. If your network does not use a DHCP server, the network camera's default static IP **192.168.0.20** will be displayed.



Click the **Wizard** button to continue.

Enter the **Admin ID** and **Password**. When logging in for the first time, the default **Admin ID** is **admin** and the **Password** should be left blank.



Click **Next** to proceed to the next page.

Select **DHCP** if your camera obtains an IP address automatically when it boots up. Select **Static IP** if the camera will use the same IP address each time it is started.



Click **Next** to proceed to the next page.

The Setup Wizard is finished. Take a moment to confirm your settings are correct. Click **Restart** to save your settings and reboot the DCS-6112/DCS-6113.

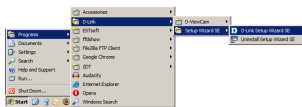




## Viewing Live Video Using a Web Browser

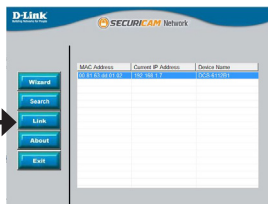
Click on the **D-Link Setup Wizard SE** icon that was created in your Windows Start menu.

**Start > Programs > D-Link > Setup Wizard SE**

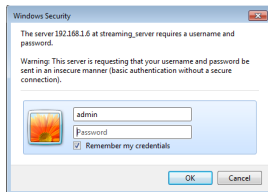


Select your DCS-6112 or DCS-6113 and click **Link** to access the web configuration.

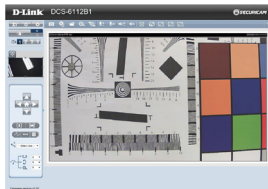
The Setup Wizard will automatically open your web browser to the IP address of the camera.



Enter the **Admin ID** and **Password**. The default user name is **admin**, and you can leave the password blank. Click **OK** to continue.



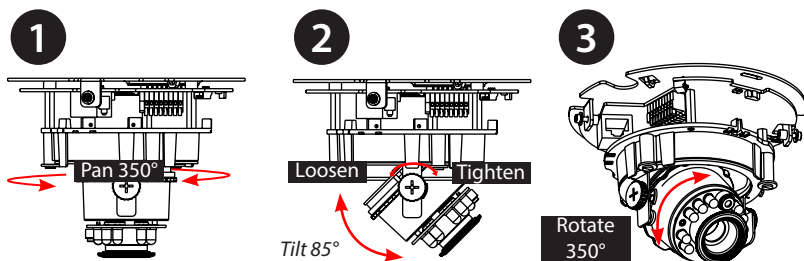
This screen shows your camera's live video. You can select your video profile and view or operate the camera. For additional information about web configuration, refer to the user manual included on the CD-ROM, or go to the D-Link website.



## 5. Adjust the Viewing Angle

Use the included security screwdriver to remove the two screws used to attach the camera housing. Slide the camera housing off, and remove the inner dome cover so you can adjust the viewing angle as described below:

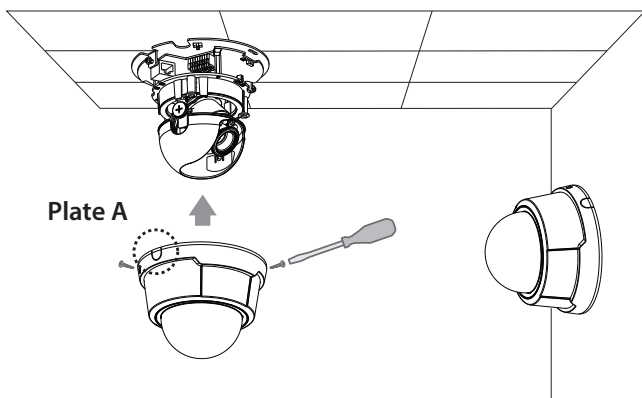
1. Use a standard Phillips screwdriver to loosen the three pan screws, and turn the lens module left or right until the desired position is achieved. Tighten the pan screws once the camera is in the correct position.
2. Loosen the tilt screws on both sides of the camera and then turn the lens module up or down until the desired position is achieved. Tighten the tilt screws once the camera is in the correct position.
3. Use a small Phillips screwdriver to loosen the two screws behind the lens collar. Rotate the lens to adjust the network camera's image until the desired orientation is achieved. Tighten the screws once adjustment is completed.



---

## 6. Attaching the Enclosure

1. When you slide the camera housing over the camera, align the two plastic tabs on the inside of the cover with the notches on the camera.
2. If you choose to feed the cable through the ceiling or wall, arrange the cable neatly through the cable hole. If you choose to feed the cable from the side, remove plate A.
3. Attach the dome cover to the camera as shown below. The dome cover cannot be attached if the angle is not correct.
4. Finally, make sure all parts of the camera are installed securely.



# Technical Support

D-Link's website contains the latest user documentation and software updates for D-Link products. U.S. customers can contact D-Link Technical Support through our website or by phone.

## United States

Telephone

(877) 354-6555

World Wide Web

<http://support.dlink.com>

# **D-Link**<sup>®</sup>

Version 2.0 (US)\_130 x 183

June 26, 2014

625025210G

©2014 D-Link. All rights reserved. D-Link and the D-Link logo are trademarks or registered trademarks of D-Link Corporation or its subsidiaries. All other third party marks mentioned herein may be trademarks of their respective owners. This publication may not be reproduced, in whole or in part, without prior express written permission from D-Link Systems, Inc. Product specifications, size and shape are subject to change without notice, and actual product appearance may differ from that depicted on the packaging. Visit [www.dlink.com](http://www.dlink.com) (US) or [www.dlink.ca](http://www.dlink.ca) (Canada) for more details.