

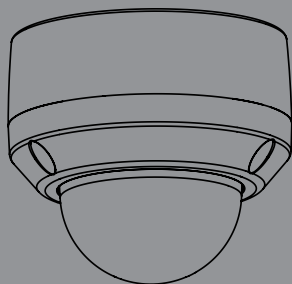


## Quick Install Guide

### Full HD Outdoor Fixed Dome Network Camera

This document will guide you through the basic installation process for your new D-Link Network Camera.

**DCS-6314**



# DCS-6314 Quick Install Guide

This installation guide provides basic instructions for installing the DCS-6314 Network Camera on your network. For additional information about how to use the camera, please see the User Manual which is available on the CD included in this package or from the D-Link support website.

## Installation Steps

1. Verify Package Contents
2. Hardware Overview
3. microSD Card Installation
4. Mounting Instructions
5. Setup Wizard
6. Adjusting the Lens 3-axis Gimbal

## 1. Package Contents

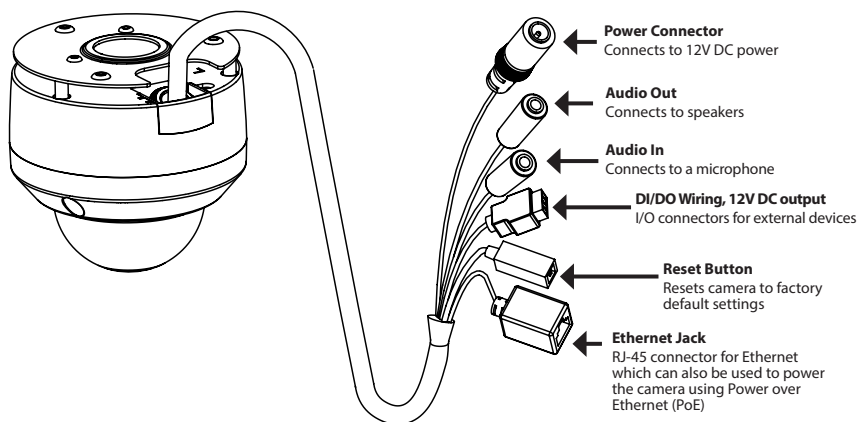
- DCS-6314 Network Camera
- Manual and Software on CD-ROM
- Power Adapter
- Security Wrench
- CAT5 Ethernet Cable
- Screws and wall socket
- Weather Shield
- 4-pin Terminal Block
- Quick Install Guide

If any of the above items are missing, please contact your reseller.

### **Safety Notice:**

Installation and servicing should be done by certified technicians so as to conform to all local codes and prevent voiding your warranty.

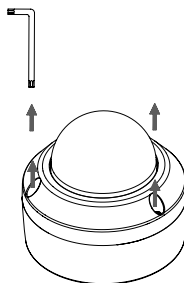
## 2. Hardware Overview



## 3. microSD Card Installation

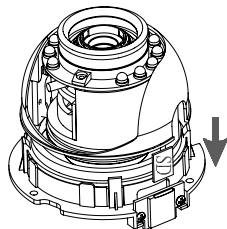
### Disassemble the Camera

Open the camera enclosure by loosening the three screws. Lift the dome off the base of the camera.



### Install the microSD Card

Push the microSD card into the camera with the gold contacts oriented towards the base of the camera. To eject, push the microSD card into the slot.



## 4. Standard Mounting Instructions

### Mounting Installation

Please refer to the User Manual for detailed instructions regarding installation and mounting of the camera using a mounting bracket.

### Style 1 - Concealed Cable Installation

- Height: 25.6mm (1.0 inches)
- Diameter: 122mm (4.8 inches)
- Weight: 135g (0.3lbs)

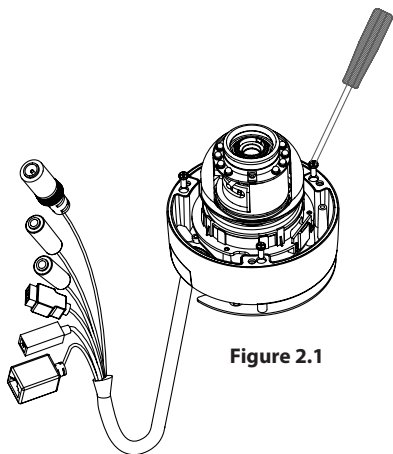


Figure 2.1

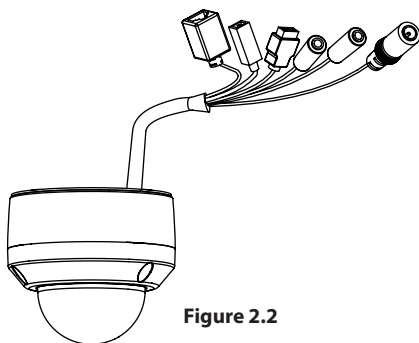
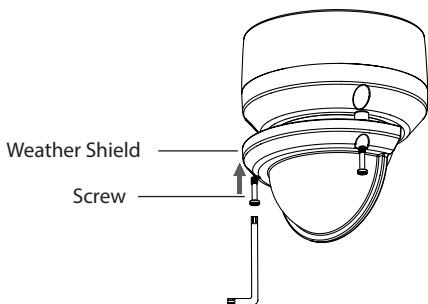


Figure 2.2

### Weather Shield



Weather Shield

Screw

## Style 2 - Exposed Cable Installation

- Height: 25.6mm (1.0 inches)
- Diameter: 122mm (4.8 inches)
- Weight: 135g (0.3lbs)

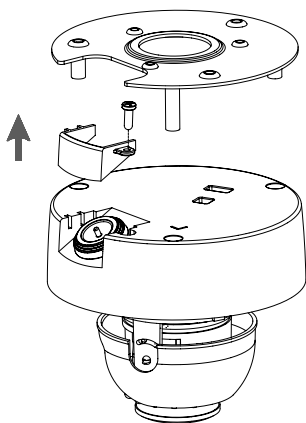


Figure 2.3

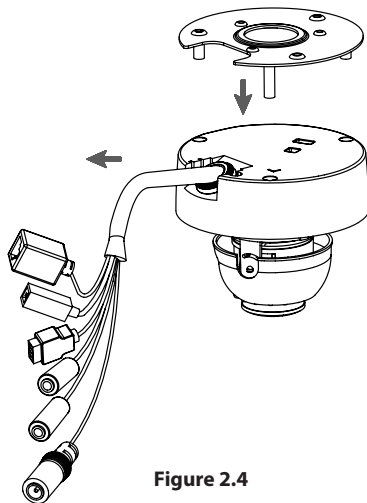


Figure 2.4

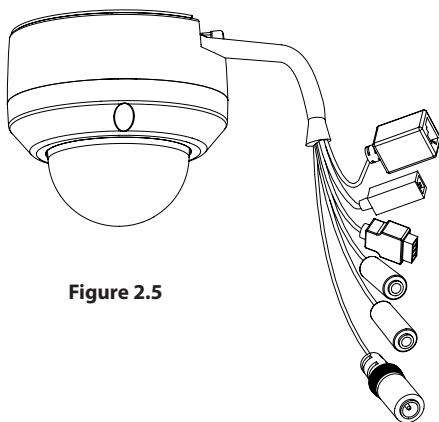


Figure 2.5

## Pendant Mount (DCS-34-2)

- Height: 201mm (7.9 inches)
- Diameter: 150mm (5.9 inches)
- Weight: 665g (1.45lbs)

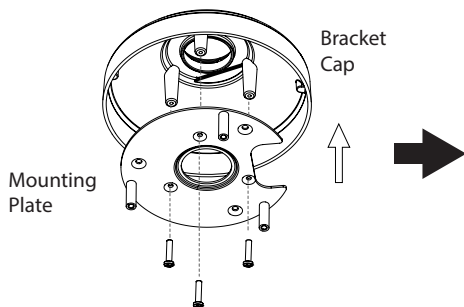


Figure 3.1

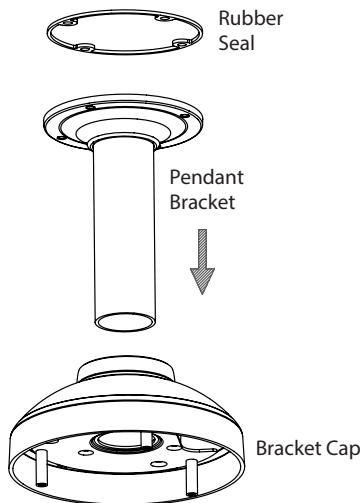


Figure 3.2

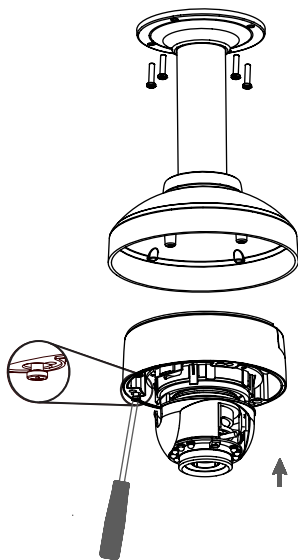


Figure 3.3

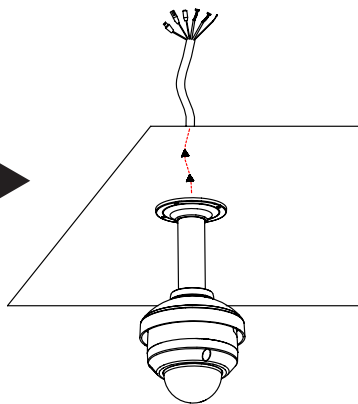


Figure 3.4

## Wall Mount (DCS-34-3)

- Height: 253mm (9.96 inches)
- Diameter: 150mm (5.9 inches)
- Weight: 770g (1.7lbs)

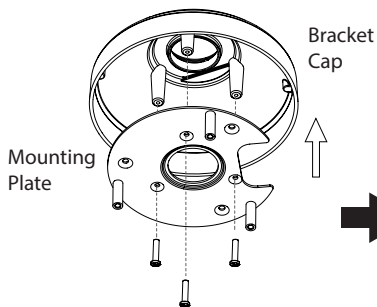


Figure 4.1

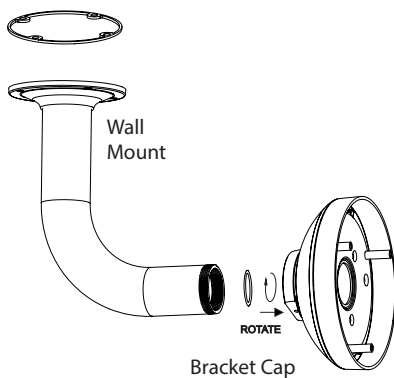


Figure 4.2

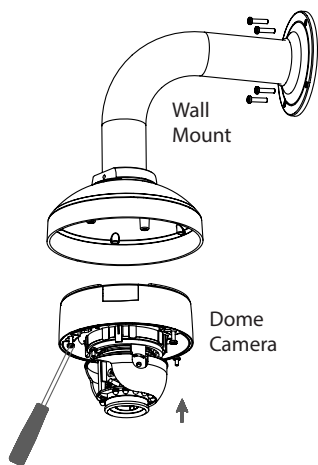


Figure 4.3

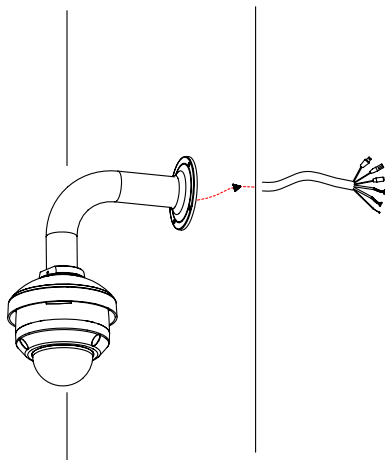
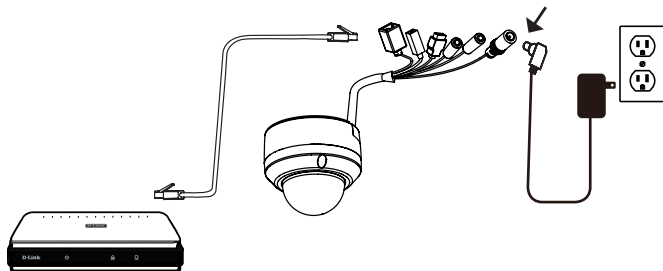


Figure 4.4

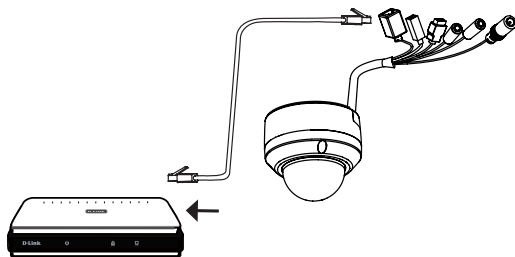
### General Connection Using 12V DC Power Adapter

1. Connect the network camera to a switch or router via an Ethernet cable.
2. Connect the supplied power cable from the camera to a power outlet.



### Connection with a PoE Switch

If you are using a PoE switch, connect the IP camera to the switch via an Ethernet cable, which will provide transmission of both power and data over a single cable.





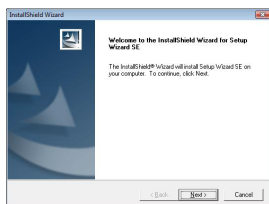
## 5. Setup Wizard

Insert the DCS-6314 CD into your computer's CD-ROM drive to begin the installation. If the Autorun function on your computer is disabled, or if the D-Link Launcher fails to start automatically, click **Start > Run**. Type **D:\autorun.exe**, where D: represents the drive letter of your CD-ROM drive.

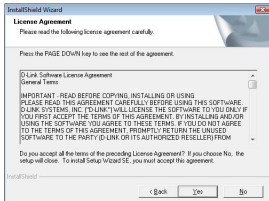
Click **Setup Wizard** to begin the installation.



The following window will open. Click **Next** to continue.

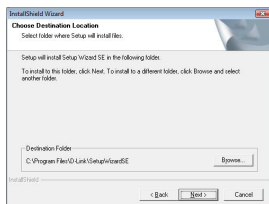


Click **Yes** to accept the License Agreement.

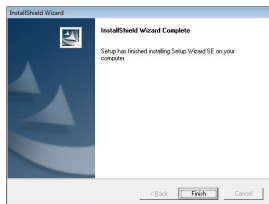


Select the location to install. Click **Next** to start the installation process.

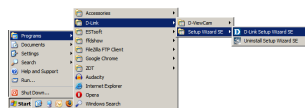
**Note:** The installation may take several minutes to finish.



Click **Finish** to complete the installation.



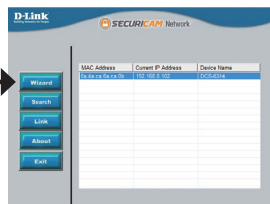
Click on the **D-Link Setup Wizard SE** icon that was created in your Windows Start menu.



**Start > D-Link > Setup Wizard SE**

The Setup Wizard will appear and display the MAC address and IP address of your camera(s). If you have a DHCP server on your network, a valid IP Address will be displayed. If your network does not use a DHCP server, the network camera's default static IP **192.168.0.20** will be displayed.

Click the **Wizard** button to continue.



Enter the Admin ID and password. When logging in for the first time, the default Admin ID is **admin** with the password left blank.

Click **Next** to proceed to the next page.



Select **DHCP** if your camera obtains an IP address automatically when it boots up. Select **Static IP** if you want to manually enter the camera's network settings.

Click **Next** to proceed to the next page.



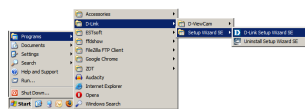
Take a moment to confirm your settings and click **Restart**.



## Viewing Camera via Web Browser

Click on the **D-Link Setup Wizard SE** icon that was created in your Windows Start menu.

**Start > D-Link > Setup Wizard SE**

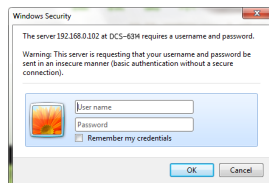


Select the camera and click the button labeled **"Link"** to access the web configuration.

The Setup Wizard will automatically open your web browser to the IP address of the camera.

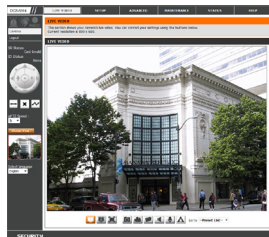


Enter **admin** as the default username and leave the password blank. Click **OK** to continue.



This section shows your camera's live video. You can select your video profile and view or operate the camera.

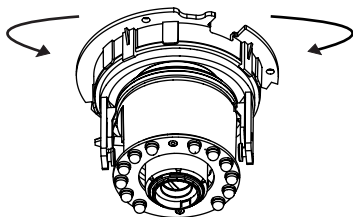
For additional information about web configuration, please refer to the user manual included on the CD-ROM or the D-Link website.



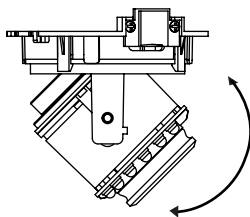
## 6. Adjusting the Lens 3-axis Gimbal

### Adjust the Viewing Angle of the 3-axis Mechanism

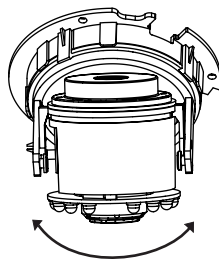
Turn the lens module left and right until the desired position is achieved.



Loosen the tilt screws on both sides of the camera, and turn the lens module up and down until the desired position is achieved; tighten the tilt screws once completed.



Turn the lens to adjust the IP camera's image until the desired orientation is achieved.



## TECHNICAL SUPPORT

D-Link's website contains the latest user documentation and software updates for D-Link products. U.S. and Canadian customers can contact D-Link Technical Support through our website or by phone.

### United States

(877) 354-6555

<http://support.dlink.com>

### Canada

(877) 354-6560

<http://support.dlink.ca>

Copyright ©2013 D-Link Corporation/D-Link Systems, Inc. All rights reserved. D-Link and the D-Link logo are registered trademarks of D-Link Corporation or its subsidiaries in the United States and other countries. Other trademarks are the property of their respective owners. Actual data throughput will vary. Network conditions and environmental factors, including volume of network traffic, building materials and construction, and network overhead lower actual data throughput rate. Product specifications, size and shape are subject to change without notice, and actual product appearance may differ from that depicted on the packaging. Visit [www.dlink.com](http://www.dlink.com) for more details.